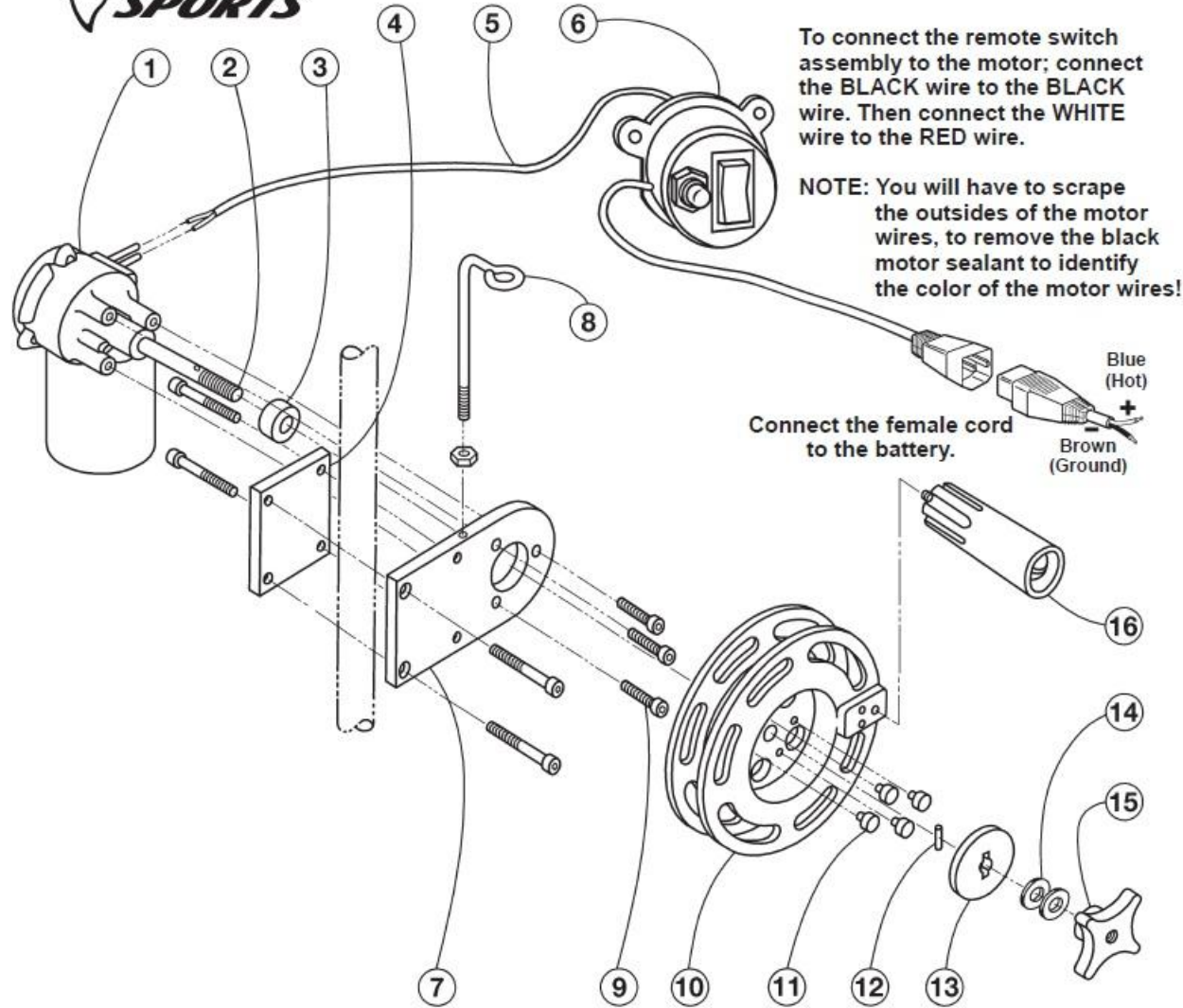




Single Electric Planer Reel



To connect the remote switch assembly to the motor; connect the BLACK wire to the BLACK wire. Then connect the WHITE wire to the RED wire.

NOTE: You will have to scrape the outsides of the motor wires, to remove the black motor sealant to identify the color of the motor wires!

Connect the female cord to the battery.

Blue (Hot)
Brown (Ground)

Parts List PM00001

Detail No.	Description	Qty.	Order By Part No.
1	Motor Assembly	1	2205
2	1/4-20 x 2-1/4 in. SH Cap Screws	4	2145
3	Hardened Spacer	1	BJ3049
4	4 Hole Clamp Plate	1	53002
5	20 ft. Power Cord	1	2550
6	Remote Switch Assembly	1	51145ASM2
7	Reel Clamp Plate	1	53000
8	Guide / Eye	1	2500C
9	1/4-20 x 1 in. SH Screws	3	2007
10	6 in. Reel	1	51174B
11	Clutch Plugs	4	2244
12	1/8 in. Shaft Pin	1	2163
13	Jr. Clutch Disk	1	51094
14	Belleville Washers	2	2232
15	Jr. Clutch Knob	1	51153
16	Handle Assembly	1	HA101